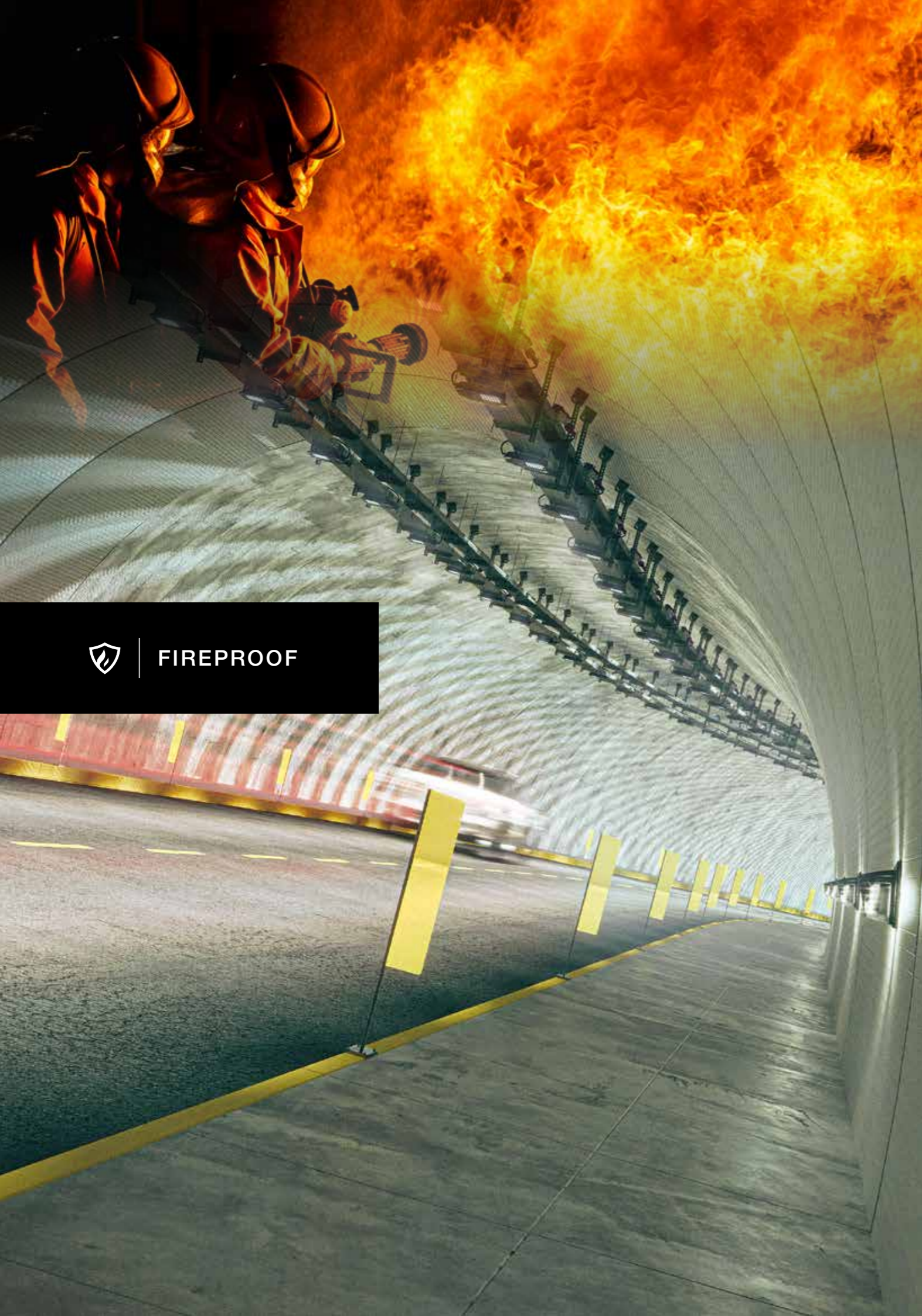




LINE **COSMEC**

FIREPROOF
TERMINAL BLOCKS

PATENTED



FIREPROOF



CERTIFIED AND GUARANTEED FIRE RESISTANCE

For over twenty years, the DKC Group has been developing reliable solutions for the protection and continuity of electrical systems, combining high quality manufacturing, technical innovation, and a keen focus on the real needs of the market. The Fireproof terminal blocks from the Cosmec Line, designed and manufactured in Italy, are designed

to ensure maximum safety even in the most extreme conditions. Made from durable materials such as aluminium and ceramic, they ensure high thermal and mechanical performance, making them ideal for applications in critical environments such as hospitals, schools, tunnels, and public buildings and infrastructures. A patented solution for those seeking

safety and reliability in electrical connections:

- Certified fire resistance
 - Reliability in emergency situations
 - Safe, long-lasting installation
- Choosing DKC means partnering with a company dedicated to quality, innovation, and comprehensive technical support throughout the entire life cycle of the project.

 **DKC**
NEXT TO YOU

Patented fire-resistant ceramic terminal blocks

Fireproof, our series of fire-resistant electrical terminal blocks.

Designed to ensure maximum safety and reliability, these terminal blocks are tested and certified to withstand extreme temperatures, offering exceptional performance even in the most critical conditions. Made of aluminium and ceramic, they provide the option of creating one or more connection points, ensuring resistance to mechanical and thermal stress.

The terminal block can be assembled and customised by choosing the correct position of the terminal, assembling it on the lower

bar, and securing it directly inside the junction box.

With **Fireproof** terminal blocks, you have a reliable solution that safeguards your electrical installations and ensures operational continuity even in emergency situations.

Main features

- **Certified fire resistance** in accordance with CEI 6033-1 830° for 120'.
- **Compliant** with the requirements of standard CEI 64-20 regarding the installation of electrical systems in road and motorway tunnels.

TECHNICAL FEATURES

Material

Ceramic base with metal pole.

Rated Voltage

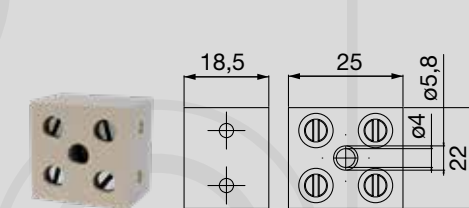
Up to 500 V.

Terminal tightening

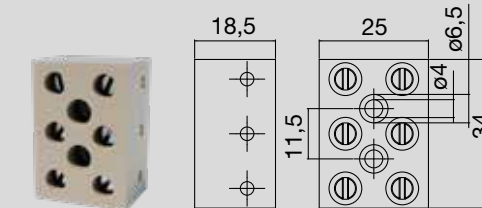
From 4 to 240 mm².

CERAMIC TERMINALS

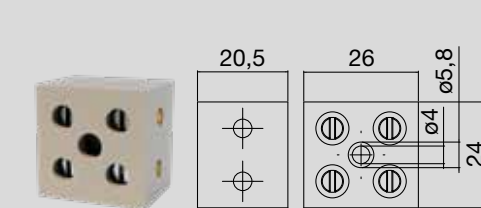
| CODE | DESCRIPTION | NO. POLES | TIGHTENING |
|--------|--|-----------|--------------------|
| MHT204 | Fireproof ceramic branch terminal block 2x4 mm ² | 2 | 4 mm ² |
| MHT304 | Fireproof ceramic branch terminal block 3x4 mm ² | 3 | 4 mm ² |
| MHT206 | Fireproof ceramic branch terminal block 2x6 mm ² | 2 | 6 mm ² |
| MHT306 | Fireproof ceramic branch terminal block 3x6 mm ² | 3 | 6 mm ² |
| MHT216 | Fireproof ceramic branch terminal block 2x16 mm ² | 2 | 16 mm ² |
| MHT316 | Fireproof ceramic branch terminal block 3x16 mm ² | 3 | 16 mm ² |



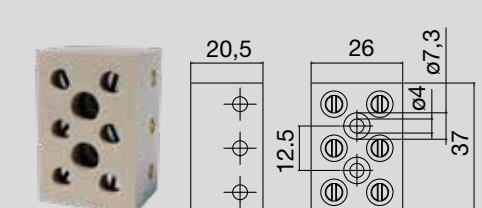
MHT204



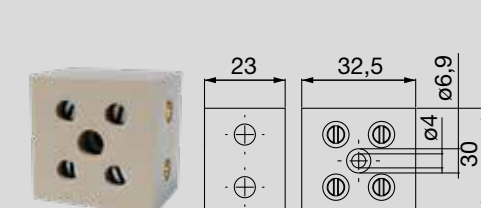
MHT304



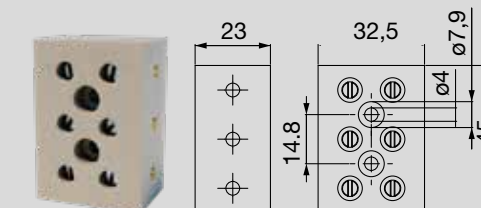
MHT206



MHT306



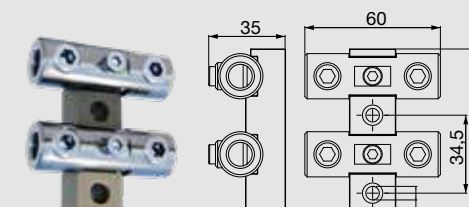
MHT216



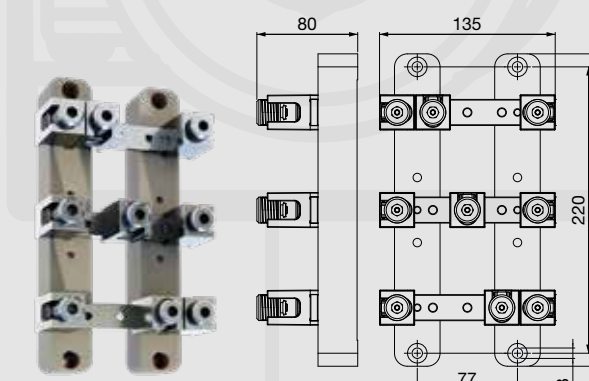
MHT316

TERMINALS ON A CERAMIC BASE

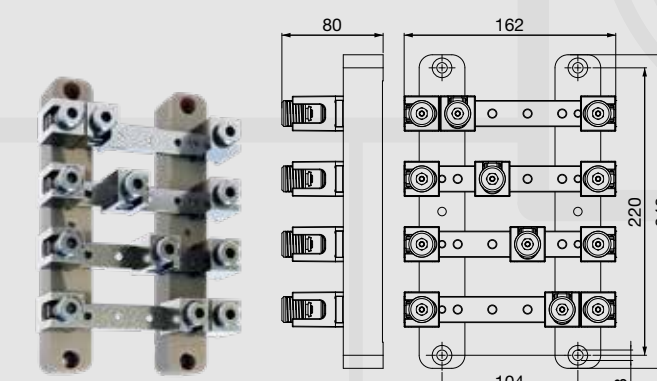
| CODE | DESCRIPTION | NO. POLES | TIGHTENING |
|--------|---|-----------|---------------------|
| MHT250 | Fireproof ceramic base terminal 2x50 mm ² | 2 | 50 mm ² |
| MHT395 | Fireproof ceramic base terminal 3x95 mm ² | 3 | 95 mm ² |
| MHT495 | Fireproof ceramic base terminal 4x95 mm ² | 4 | 95 mm ² |
| MHT324 | Fireproof ceramic base terminal 3x240 mm ² | 3 | 240 mm ² |
| MHT424 | Fireproof ceramic base terminal 4x240 mm ² | 4 | 240 mm ² |



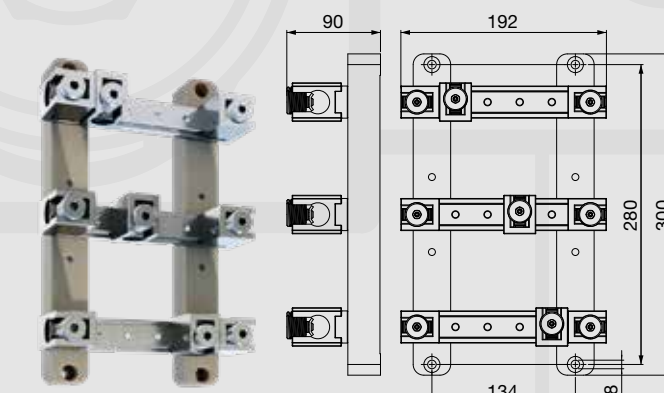
MHT250



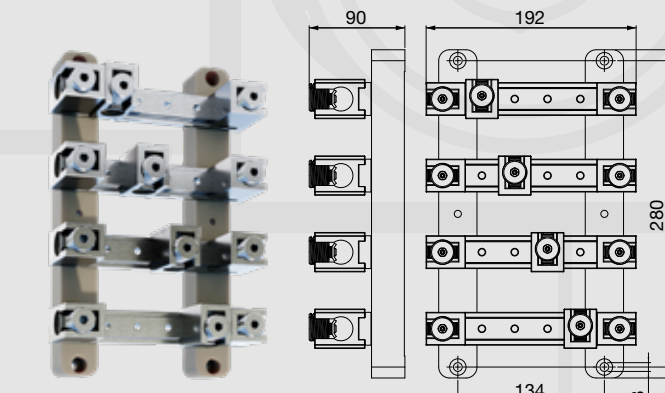
MHT395



MHT495



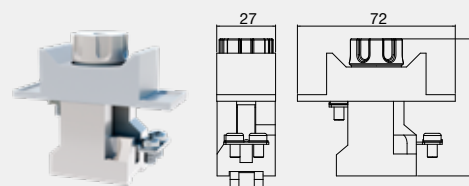
MHT324



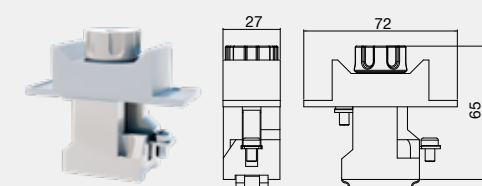
MHT424

CERAMIC FUSE HOLDER

| CODE | DESCRIPTION | RATED CURRENT | FUSE TYPE |
|---------|----------------------------------|---------------|-----------|
| FHTD01A | Fuse holder base D01 | 16A | D01 |
| FHTD01B | Fuse holder base D01 x omega bar | 16A | D01 |



FHTD01A



FHTD01B

ACCESSORIES



JUNCTION BOXES



BASE PLATES



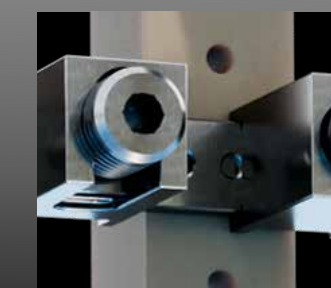
RING NUTS



CABLE GLANDS



Ceramic base suitable for high temperatures.



Spring-loaded screw with anti-loosening system.



DKC Europe Srl
Cosmec Division
Via Enrico Mattei, 22
29010 Villanova sull'Arda (PC) Italy
Tel. +39 0321 989898
info@dkceurope.eu
www.dkceurope.com