



Plinths for modular and monobloc cabinets and consoles



New range



www.dkceurope.eu

Ease of mounting and handling



DKC's Ram-Block line offers a new plinth for CQE modular cabinets, CAE monobloc enclosures and consoles. This a product that introduces new configuration options for flanges and corners, optimising the possibility of handling and wiring of our cabinets for automation.

Modularity and practicality

The plinth is totally modular and is formed by combining the corner with the front and side flange.

The new plinth is designed so that the weight of the cabinet rests entirely on the corner elements, allowing maximum freedom when it comes to removing and arranging the flanges.

Movability simplified

The flange's rapid removal system and the specific design of the corners make the cabinet suitable for transporting without a pallet. Moreover, the flanges do not need to be assembled before the cabinet is installed into its final position. This means it is possible to avoid the risk of damaging the plinth during handling.

Stability

The new plinth features a high degree of stability and load resistance, obtained

as a result of a specific design of the corners (25/10 sheet steel).



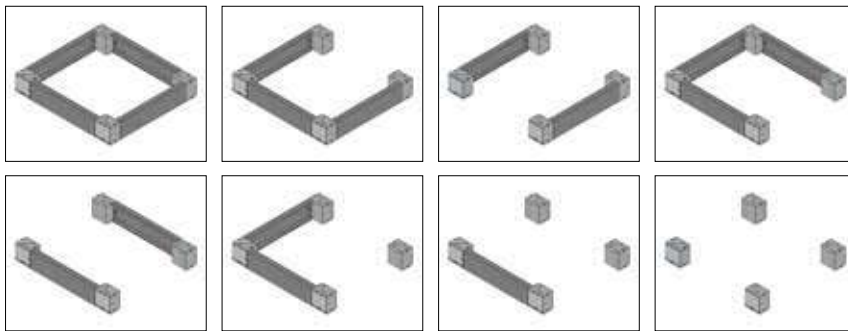
Maximum flexibility and mo

Wide range of set up possibilities

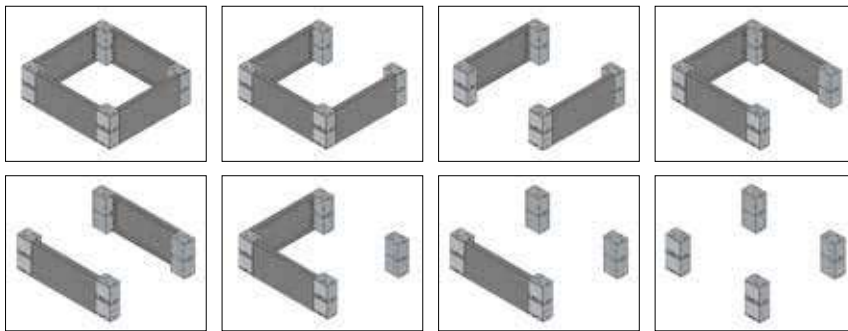
The side and front flanges are quickly removable on both sides to assist cable exit and entry. The cable passage area can be easily adapted to meet the installer's needs.

It is possible, where cabinets are assembled in series, to remove or arrange the internal side flanges horizontally, without causing the cabinets to lose their stability.

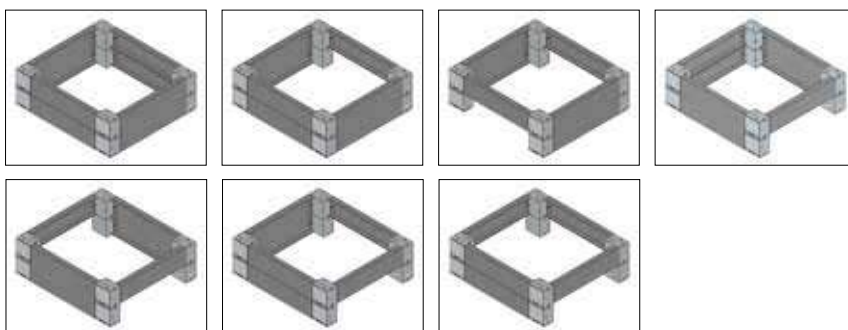
Configurations for 100 mm high plinths



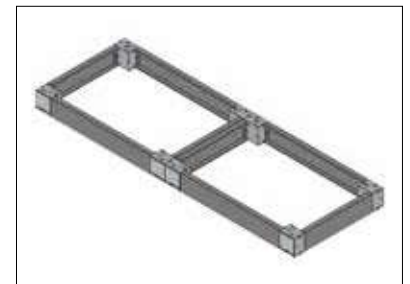
Configurations for 200 mm high plinths



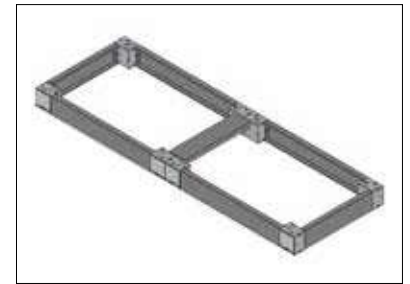
Configurations for 200 mm high plinths constructed with 100 mm high corners and flanges



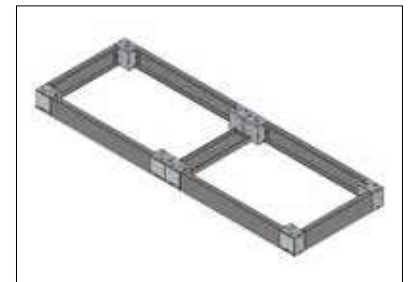
Plinth configurations for cabinets in series



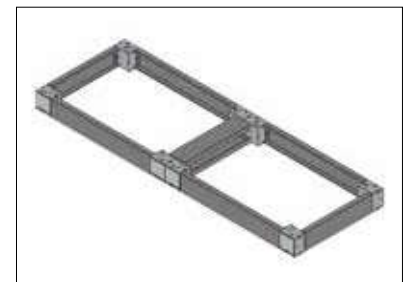
Standard configuration



Configuration for cable passage under the horizontal flange



Configuration for cable passage above the horizontal flange



Configuration for cable ducts above the horizontal flanges

100 mm high plinths in kit form

Plinths for modular and monobloc cabinets

DIMENSIONS (mm)	CODE CORNER		CODE FRONT FLANGE		CODE SIDE FLANGE
300x300	R1ZCOR1	+	R1ZPRO301	+	R1ZPRO301
300x400	R1ZCOR1	+	R1ZPRO301	+	R1ZPRO401
300x500	R1ZCOR1	+	R1ZPRO301	+	R1ZPRO501
300x600	R1ZCOR1	+	R1ZPRO301	+	R1ZPRO601
300x800	R1ZCOR1	+	R1ZPRO301	+	R1ZPRO801
400x300	R1ZCOR1	+	R1ZPRO401	+	R1ZPRO301
400x400	R1ZCOR1	+	R1ZPRO401	+	R1ZPRO401
400x500	R1ZCOR1	+	R1ZPRO401	+	R1ZPRO501
600x300	R1ZCOR1	+	R1ZPRO601	+	R1ZPRO301
600x400	R1ZCOR1	+	R1ZPRO601	+	R1ZPRO401
600x500	R1ZCOR1	+	R1ZPRO601	+	R1ZPRO501
600x600	R1ZCOR1	+	R1ZPRO601	+	R1ZPRO601
800x300	R1ZCOR1	+	R1ZPRO801	+	R1ZPRO301
800x400	R1ZCOR1	+	R1ZPRO801	+	R1ZPRO401
800x500	R1ZCOR1	+	R1ZPRO801	+	R1ZPRO501
800x600	R1ZCOR1	+	R1ZPRO801	+	R1ZPRO601
800x800	R1ZCOR1	+	R1ZPRO801	+	R1ZPRO801
1000x300	R1ZCOR1	+	R1ZPRO1001	+	R1ZPRO301
1000x400	R1ZCOR1	+	R1ZPRO1001	+	R1ZPRO401
1000x500	R1ZCOR1	+	R1ZPRO1001	+	R1ZPRO501
1000x600	R1ZCOR1	+	R1ZPRO1001	+	R1ZPRO601
1000x800	R1ZCOR1	+	R1ZPRO1001	+	R1ZPRO801
1000x1000	R1ZCOR1	+	R1ZPRO1001	+	R1ZPRO1001

DIMENSIONS (mm)	CODE CORNER		CODE FRONT FLANGE		CODE SIDE FLANGE
1200x300	R1ZCOR1	+	R1ZPRO1201	+	R1ZPRO301
1200x400	R1ZCOR1	+	R1ZPRO1201	+	R1ZPRO401
1200x500	R1ZCOR1	+	R1ZPRO1201	+	R1ZPRO501
1200x600	R1ZCOR1	+	R1ZPRO1201	+	R1ZPRO601
1200x800	R1ZCOR1	+	R1ZPRO1201	+	R1ZPRO801
1200x1000	R1ZCOR1	+	R1ZPRO1201	+	R1ZPRO1001
1200x1200	R1ZCOR1	+	R1ZPRO1201	+	R1ZPRO1201
1400x400	R1ZCOR1	+	R1ZPRO1401	+	R1ZPRO401
1400x500	R1ZCOR1	+	R1ZPRO1401	+	R1ZPRO501
1400x600	R1ZCOR1	+	R1ZPRO1401	+	R1ZPRO601
1400x800	R1ZCOR1	+	R1ZPRO1401	+	R1ZPRO801
1400x1000	R1ZCOR1	+	R1ZPRO1401	+	R1ZPRO1001
1600x400	R1ZCOR1	+	R1ZPRO1601	+	R1ZPRO401
1600x500	R1ZCOR1	+	R1ZPRO1601	+	R1ZPRO501
1600x600	R1ZCOR1	+	R1ZPRO1601	+	R1ZPRO601
1600x800	R1ZCOR1	+	R1ZPRO1601	+	R1ZPRO801
1600x1000	R1ZCOR1	+	R1ZPRO1601	+	R1ZPRO1001
1800x400	R1ZCOR1	+	R1ZPRO1801	+	R1ZPRO401
2000x400	R1ZCOR1	+	R1ZPRO2001	+	R1ZPRO501

200 mm high plinths in kit form

Plinths for modular and monobloc cabinets

DIMENSIONS (mm)	CORNER CODE	FRONT FLANGE CODE	SIDE FLANGE CODE
300x300	R1ZCOR2	+ R1ZPRO302	+ R1ZPRO302
300x400	R1ZCOR2	+ R1ZPRO302	+ R1ZPRO402
300x500	R1ZCOR2	+ R1ZPRO302	+ R1ZPRO502
300x600	R1ZCOR2	+ R1ZPRO302	+ R1ZPRO602
300x800	R1ZCOR2	+ R1ZPRO302	+ R1ZPRO802
300x1000	R1ZCOR2	+ R1ZPRO302	+ R1ZPRO1002
400x300	R1ZCOR2	+ R1ZPRO402	+ R1ZPRO302
400x400	R1ZCOR2	+ R1ZPRO402	+ R1ZPRO402
400x500	R1ZCOR2	+ R1ZPRO402	+ R1ZPRO502
600x300	R1ZCOR2	+ R1ZPRO602	+ R1ZPRO302
600x400	R1ZCOR2	+ R1ZPRO602	+ R1ZPRO402
600x500	R1ZCOR2	+ R1ZPRO602	+ R1ZPRO502
600x600	R1ZCOR2	+ R1ZPRO602	+ R1ZPRO602
800x300	R1ZCOR2	+ R1ZPRO802	+ R1ZPRO302
800x400	R1ZCOR2	+ R1ZPRO802	+ R1ZPRO402
800x500	R1ZCOR2	+ R1ZPRO802	+ R1ZPRO502
800x600	R1ZCOR2	+ R1ZPRO802	+ R1ZPRO602
800x800	R1ZCOR2	+ R1ZPRO802	+ R1ZPRO802
1000x300	R1ZCOR2	+ R1ZPRO1002	+ R1ZPRO302
1000x400	R1ZCOR2	+ R1ZPRO1002	+ R1ZPRO402
1000x500	R1ZCOR2	+ R1ZPRO1002	+ R1ZPRO502
1000x600	R1ZCOR2	+ R1ZPRO1002	+ R1ZPRO602
1000x800	R1ZCOR2	+ R1ZPRO1002	+ R1ZPRO802
1000x1000	R1ZCOR2	+ R1ZPRO1002	+ R1ZPRO1002

DIMENSIONS (mm)	CORNER CODE	FRONT FLANGE CODE	SIDE FLANGE CODE
1200x300	R1ZCOR2	+ R1ZPRO1202	+ R1ZPRO302
1200x400	R1ZCOR2	+ R1ZPRO1202	+ R1ZPRO402
1200x500	R1ZCOR2	+ R1ZPRO1202	+ R1ZPRO502
1200x600	R1ZCOR2	+ R1ZPRO1202	+ R1ZPRO602
1200x800	R1ZCOR2	+ R1ZPRO1202	+ R1ZPRO802
1200x1000	R1ZCOR2	+ R1ZPRO1202	+ R1ZPRO1002
1200x1200	R1ZCOR2	+ R1ZPRO1202	+ R1ZPRO1202
1400x400	R1ZCOR2	+ R1ZPRO1402	+ R1ZPRO402
1400x500	R1ZCOR2	+ R1ZPRO1402	+ R1ZPRO502
1400x600	R1ZCOR2	+ R1ZPRO1402	+ R1ZPRO602
1400x800	R1ZCOR2	+ R1ZPRO1402	+ R1ZPRO802
1400x1000	R1ZCOR2	+ R1ZPRO1402	+ R1ZPRO1002
1600x400	R1ZCOR2	+ R1ZPRO1602	+ R1ZPRO402
1600x500	R1ZCOR2	+ R1ZPRO1602	+ R1ZPRO502
1600x600	R1ZCOR2	+ R1ZPRO1602	+ R1ZPRO602
1600x800	R1ZCOR2	+ R1ZPRO1602	+ R1ZPRO802
1600x1000	R1ZCOR2	+ R1ZPRO1602	+ R1ZPRO1002
1800x400	R1ZCOR2	+ R1ZPRO1802	+ R1ZPRO402
2000x400	R1ZCOR2	+ R1ZPRO2002	+ R1ZPRO402

100 mm high plinths for consoles

Plinths for compact and modular consoles

DIMENSIONS (mm)	CODE CORNER	+	CODE FRONT FLANGE	+	CODE SIDE FLANGE
600x380	R1ZCOR1	+	R1ZPRO601	+	R1ZPRO381
800x380	R1ZCOR1	+	R1ZPRO801	+	R1ZPRO381
1000x380	R1ZCOR1	+	R1ZPRO1001	+	R1ZPRO381
1200x380	R1ZCOR1	+	R1ZPRO1201	+	R1ZPRO381
1400x380	R1ZCOR1	+	R1ZPRO1401	+	R1ZPRO381
1600x380	R1ZCOR1	+	R1ZPRO1601	+	R1ZPRO381
1800x380	R1ZCOR1	+	R1ZPRO1801	+	R1ZPRO381
2000x380	R1ZCOR1	+	R1ZPRO2001	+	R1ZPRO381

Plinths for consoles with video system

DIMENSIONS (mm)	CODE CORNER	+	CODE FRONT FLANGE	+	CODE SIDE FLANGE
600x450	R1ZCOR1	+	R1ZPRO601	+	R1ZPRO501
800x450	R1ZCOR1	+	R1ZPRO801	+	R1ZPRO501
1000x450	R1ZCOR1	+	R1ZPRO1001	+	R1ZPRO501
1200x450	R1ZCOR1	+	R1ZPRO1201	+	R1ZPRO501
1400x450	R1ZCOR1	+	R1ZPRO1401	+	R1ZPRO501
1600x450	R1ZCOR1	+	R1ZPRO1601	+	R1ZPRO501
1800x450	R1ZCOR1	+	R1ZPRO1801	+	R1ZPRO501
2000x450	R1ZCOR1	+	R1ZPRO2001	+	R1ZPRO501

100 mm high complete plinths

Plinths for cable compartments

DIMENSIONS (mm)	CORNER CODE	+	FRONT FLANGE CODE	+	SIDE FLANGE CODE
300x300	R1ZCOR2	+	R1ZPRO302	+	R1ZPRO302
300x400	R1ZCOR2	+	R1ZPRO302	+	R1ZPRO402
300x500	R1ZCOR2	+	R1ZPRO302	+	R1ZPRO502
300x600	R1ZCOR2	+	R1ZPRO302	+	R1ZPRO602



Complete plinth
100 mm high



Complete plinth
200 mm high



Complete plinth
200 mm high
created by coupling 100 mm high
flanges and corners

200 mm high complete plinths

Plinths for cable compartments

DIMENSIONS (mm)	CORNER CODE	+	FRONT FLANGE CODE	+	SIDE FLANGE CODE
300x300	R1ZCOR2	+	R1ZPRO302	+	R1ZPRO302
300x400	R1ZCOR2	+	R1ZPRO302	+	R1ZPRO402
300x500	R1ZCOR2	+	R1ZPRO302	+	R1ZPRO502
300x600	R1ZCOR2	+	R1ZPRO302	+	R1ZPRO602

Characteristics

Corners

Built in 25/10 thick steel sheet, painted in textured RAL 7011 with front plastic closure.

Flanges



Corner
100 mm high

Corner
200 mm high

Front and side in 15/10 thick steel sheet, painted in RAL 7011, available in 100 mm and 200 mm heights (or 2 x 100 mm)



Flange
100 mm high

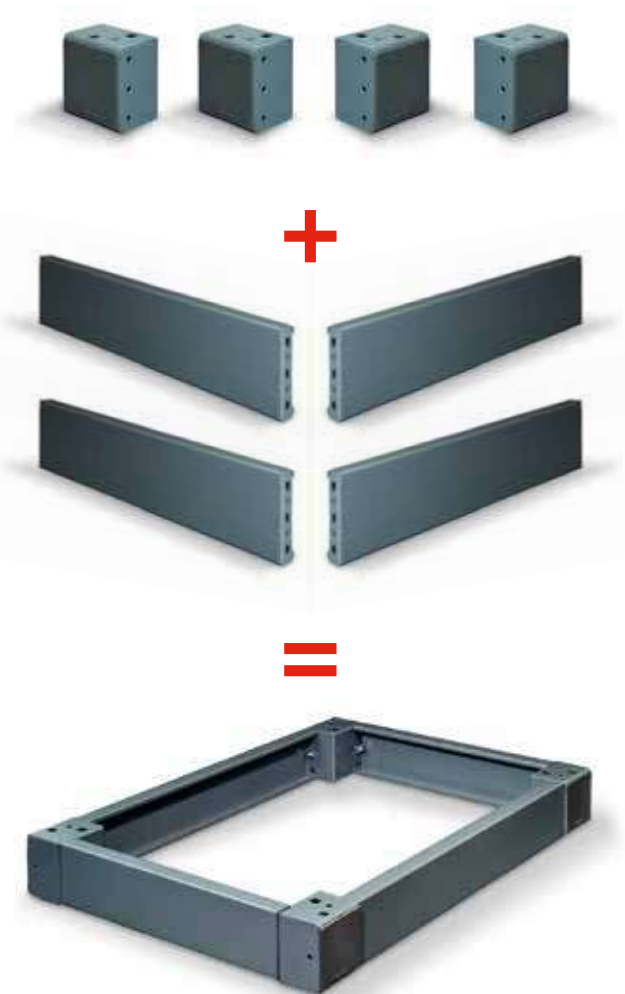


Flange
200 mm high

Modularity

Configurations of new plinths

The new plinth is totally modular and each of the components can be ordered separately. This option makes it possible to purchase single elements, based on the specific needs of installers, that can decide to combine flanges in a configuration that is best suited to their design.





DKC Europe Srl

via Libertà, 207 · 28043 Bellinzago Novarese (NO) Italy
tel. +39 0321 989898 · e-mail: info@dkceurope.eu

www.dkceurope.eu